

NAME	
DATE	
TRACK	
EVENT	

PINION		TRANSMISSION		SPUR	
<input type="checkbox"/> 15T	<input type="checkbox"/> 16T	<input type="checkbox"/> 17T	1ST	<input type="checkbox"/> 58T	<input type="checkbox"/> 59T
<input type="checkbox"/> 20T	<input type="checkbox"/> 21T	<input type="checkbox"/> 22T	2ND	<input type="checkbox"/> 53T	<input type="checkbox"/> 54T

SIDE PULLEY	
<input type="checkbox"/> 25T(STD)	<input type="checkbox"/> 26T(OPT)

FRONT		SHOCKS		REAR	
<input type="checkbox"/> USP2	<input type="checkbox"/> SHORT	<input type="checkbox"/> STD	TYPE	<input type="checkbox"/> USP2	<input type="checkbox"/> SHORT
				<input type="checkbox"/> STD	<input type="checkbox"/> STD

SPRINGS		
#	OIL	#
<input type="checkbox"/> STD	<input type="checkbox"/> OPTION	<input type="checkbox"/> STD
	O RING	<input type="checkbox"/> OPTION

<input type="checkbox"/> 1-1.3 Hole	<input type="checkbox"/> 2-1.1 Hole	<input type="checkbox"/> 3-0.9 Hole	PISTONS	<input type="checkbox"/> 1-1.3 Hole	<input type="checkbox"/> 2-1.1 Hole	<input type="checkbox"/> 3-0.9 Hole
-------------------------------------	-------------------------------------	-------------------------------------	----------------	-------------------------------------	-------------------------------------	-------------------------------------

FRONT		DIFF		REAR	
<input type="checkbox"/> UP	<input type="checkbox"/> STD	<input type="checkbox"/> DIFF	<input type="checkbox"/> G228	<input type="checkbox"/> UP	<input type="checkbox"/> STD
		<input type="checkbox"/> ADJUSTABLE			

FRONT		ANTI-ROLL BAR		REAR	
		mm		mm	

FRONT		RIDE HEIGHT		REAR	
		mm		mm	

FRONT		WIDTH		REAR	
		mm		mm	

TIRES		CONTROLLED	
BRAND		<input type="checkbox"/> YES <input type="checkbox"/> NO	

(LEFT)	FRONT	(RIGHT)	(LEFT)	REAR	(RIGHT)
	mm			mm	

FRONT		WHEEL PLATE		REAR	
<input type="checkbox"/> YES	<input type="checkbox"/> NO	<input type="checkbox"/> YES	<input type="checkbox"/> NO	<input type="checkbox"/> YES	<input type="checkbox"/> NO

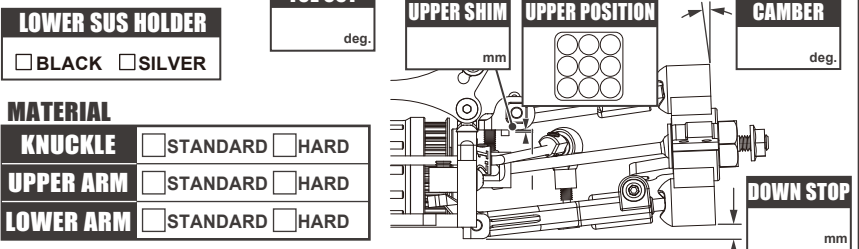
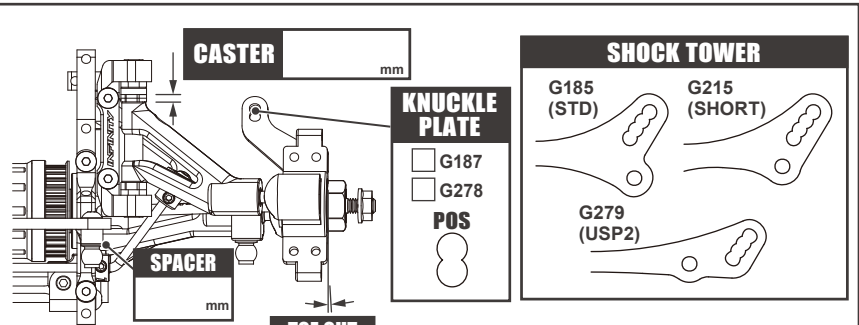
HEX HUB		U (Universal) / D (Drive Shaft)			
<input type="checkbox"/> STD	<input type="checkbox"/> OPT	FRONT		REAR	
<input type="checkbox"/> OPT (LARGE)		<input type="checkbox"/> 90° U(OPT)	<input type="checkbox"/> 90° U(OPT)	<input type="checkbox"/> 0° D(OPT)	
		<input type="checkbox"/> 0° U(STD)	<input type="checkbox"/> 0° U(STD)	<input type="checkbox"/> 0°U(50mm)	
		<input type="checkbox"/> 0°U(50mm)			

WHEEL SHAFT		BODY	
FRONT	REAR	TYPE	
<input type="checkbox"/> STD	<input type="checkbox"/> LIGHT	POSITION	
		WING	

<input type="checkbox"/> STD	<input type="checkbox"/> CARBON
------------------------------	---------------------------------

BUMPER HOLE	
A	B
C	D
C	B
A	A

FRONT	CENTER	REAR
7 6 5 4 3 2 1	7 6 5 4 3 2 1 NO	7 6 5 4 3 2 1

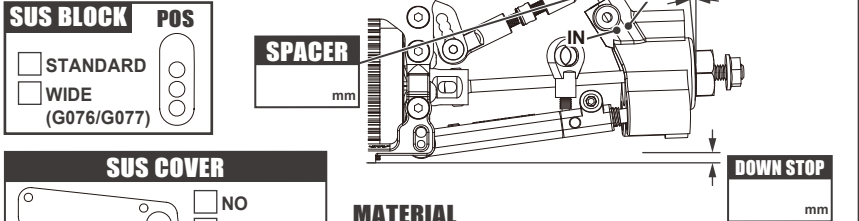
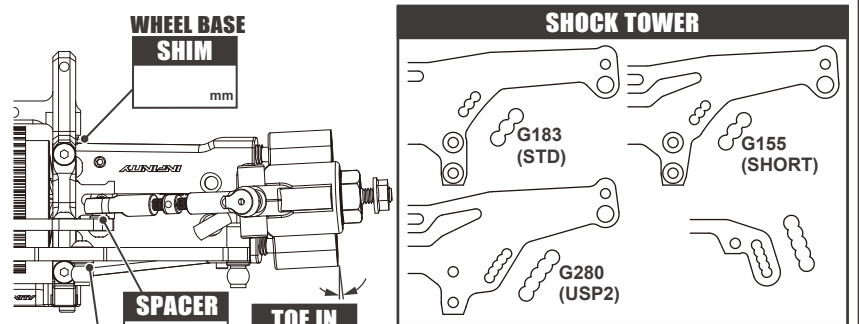


MATERIAL

KNUCKLE STANDARD HARD

UPPER ARM STANDARD HARD

LOWER ARM STANDARD HARD



SUS COVER

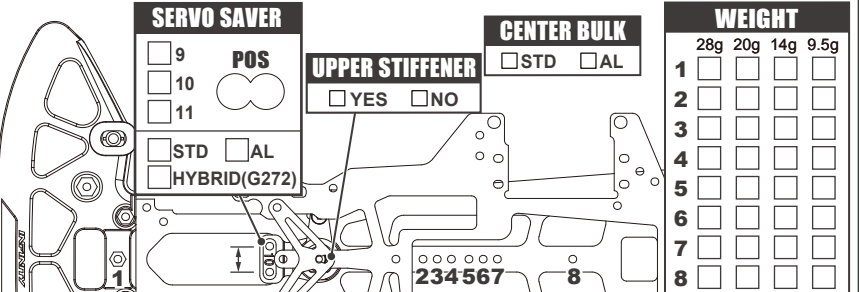
NO
 STANDARD
 HARD
 CARBON

MATERIAL

SUS ARM STANDARD HARD

REAR HUB STANDARD HARD

SCREW POINT



CENTER STIFFENER	REAR CHASSIS STIFFENER
<input type="checkbox"/> YES <input type="checkbox"/> NO	<input type="checkbox"/> YES <input type="checkbox"/> NO

COMMENT